

Technical Bulletin

Model
911 C4

Group
3

Subject: Longitudinal and Differential
Lock Modifications

Part Identifier
3940

Number
9306

ATTENTION: Service Manager / Service Technician

Models/Transmissions Affected: **911 Carrera 4 G-64 00/01/02**

Concern: The inner drive disc friction material has been changed from "Gylon" to "Valeo" (see Figure 1).

General Information: For repairs, only the friction discs from "Valeo" are available. This applies to both the longitudinal and differential locks.

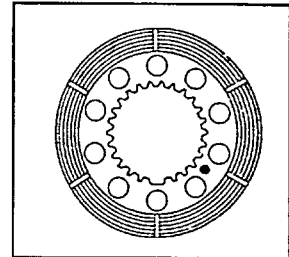
Repair Information: **DIFFERENTIAL LOCK**

The "Valeo" friction discs are installed in the differential lock in production as of October 1, 1991 from transmission number: G 64 00 30 01146.

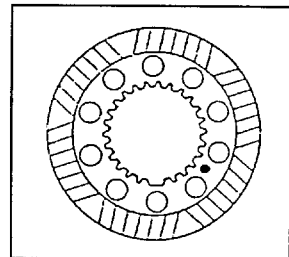
The "Valeo" disc has a different thickness from the former "Gylon" disc. Following this change of the inner disc thickness, stacking adjustment and wear limit specifications have been modified.

When installing "Valeo" friction discs into transmissions manufactured before the above mentioned transmission number (first time installation), all new "Valeo" discs must be used.

IMPORTANT: Mixing "Valeo" and "Gylon" plates is not permitted.



Gylon Disc



Valeo Disc

Figure 1

P
O
R
S
C
H
E

C
A
R
S

N
O
R
T
H

A
M
E
R
I
C
A

I
N
C
.



Technical Bulletin

Model
911 C4

Group
3

Subject: **Longitudinal and Differential
Lock Modifications**

Part Identifier
3940

Number
9306

Friction Disc Pack "Valeo"

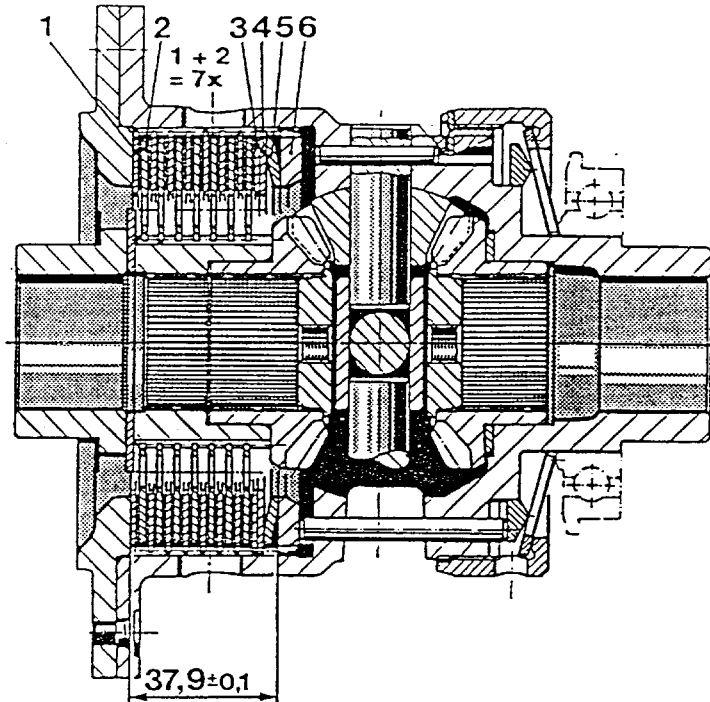


Figure #	Qty.	Description	Part Number
1	7	Outer disc (1.2mm thick)	950 332 727 10
2	7	Inner disc with Valeo lining	950 332 722 10
3*	1	Outer disc (adjusting) 1.3mm	950 332 727 30
3		" " 0.5mm	950 332 727 31
3		" " 0.7mm	950 332 727 32
3		" " 0.9mm	950 332 727 33
3		" " 1.1mm	950 332 727 34
3		" " 1.5mm	950 332 727 35
3		" " 1.7mm	950 332 727 36
3		" " 1.9mm	950 332 727 37
3		" " 2.1mm	950 332 727 38
4*	1	" " 1.5mm minimum	950 332 727 35
5	1	Cup spring	999 523 013 01
6	1	Thrust ring	950 332 711 01

*Select correct thickness (see Workshop Manual)

Note: The former version Gylon outer friction discs with offset splined hub (cranked) are no longer used.



PORSCHE CARS NORTH AMERICA INC.

Technical Bulletin

Model
911 C4

Group
3

Subject: Longitudinal and Differential
Lock Modifications

Part Identifier
3940

Number
9306

Repair Information (cont.):

Modified transmissions are to be marked (to highlight different wear limits) by stamping a large "V" into the transmission housing below the hydraulic cylinder (see Figure 2). Refer to the Workshop Manual Volume 2, page 39-12a, b, c and d.

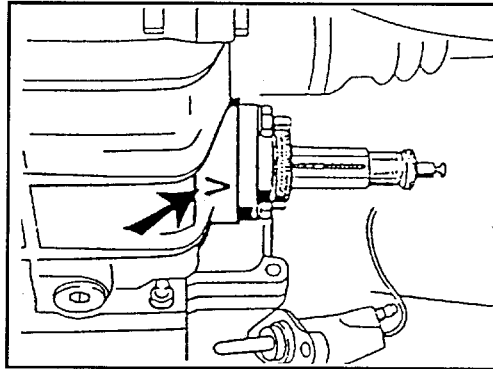


Figure 2

Setting adjustment before installation:

Pack thickness (new) = 37.9 ± 0.1 mm
Wear limit = 36mm

Adjustment Value and Wear Limit (Friction pack installed)

The adjustment value and wear limit for transmissions with or without adjustable bearing pin is the same:

New adjusting value = 31mm
Wear limit = 40mm

Measured with special tool 9514/1. Refer to Workshop Manual Volume 2, pages 39-1 to 39-120.

LONGITUDINAL LOCK

"Valeo" friction discs were installed in the longitudinal locks in production beginning with model year 1993. Former version Gylon and new version "Valeo" friction discs have different thicknesses. However, the total friction packet thickness has not changed.



Technical Bulletin

Model
911 C4

Group
3

Subject: Longitudinal and Differential
Lock Modifications

Part Identifier
3940

Number
9306

Repair Information (cont.):

When repairing longitudinal locks of transmissions, produced before model year 1993, all new version "Valeo" discs and the new wave disc must be installed (see Figure 3). The pack thickness must be adjusted to specified dimension of 26mm (the same as before).

IMPORTANT: Combining "Gylon" and "Valeo" friction discs is not permitted.

Adjustment Value and Wear Limit

The adjustment value and wear limit for transmissions with or without adjustable bearing pin is the same:

Adjusting value = 29.5mm
Wear limit = 32.5mm

Measured with special tool 9514/1. Refer to the Workshop Manual Volume 2, pages 34-8c and d.

P
O
R
S
C
H
E

C
A
R
S

N
O
R
T
H

A
M
E
R
I
C
A

I
N
C
.



Technical Bulletin

Model
911 C4

Group
3

Subject: Longitudinal and Differential
Lock Modifications

Part Identifier
3940

Number
9306

Friction Disc Pack "Valeo"

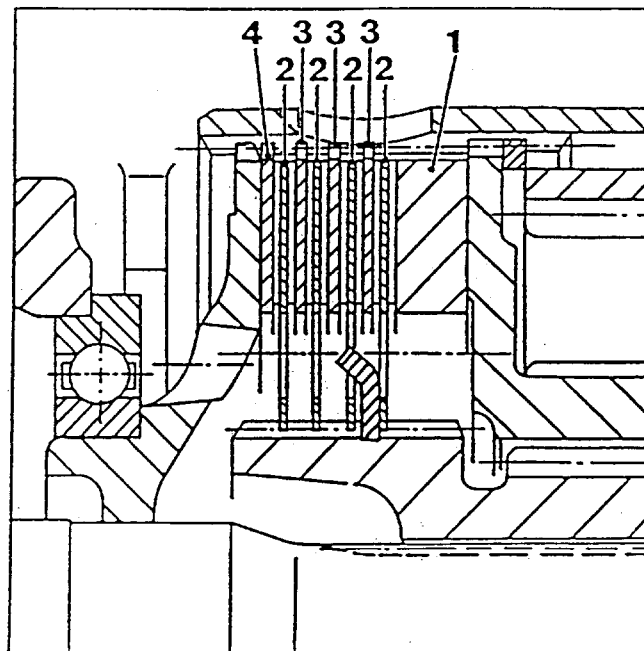


Figure 3

Figure #	Qty.	Description	Part Number
1	1	Wave disc	999 201 435 00
2	4	Inner disc	928 332 728 00
3	3	Outer disc	928 332 726 04
4*	1	Outer disc (adjusting)	928 332 726 05
5		" "	928 332 726 06
6		" "	928 332 726 07
7		" "	928 332 726 08
8		" "	928 332 726 09
9		" "	928 332 726 10

PORSCHE CARS NORTH AMERICA INC.

